

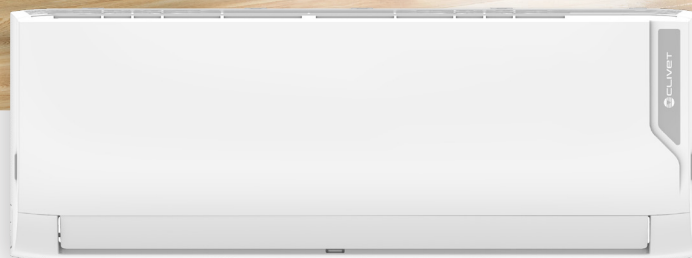
CERVINO 27M÷35M

SINGLESplit
NEW PRODUCT



▶ A+++

▶ A++



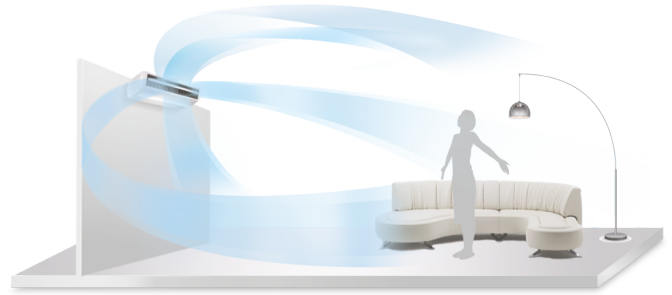
SINGLESplit with hiwall indoor unit

WHY CHOOSE OUTDOOR CERVINO?

- ✓ R290 technology: combines high performance with maximum respect for the environment
- ✓ ALTO Panel Design with strong but elegant lines, in matt finish with contrasting logo
- ✓ Smart management as standard: via smartphone with the NetHome Plus App and voice control setup with Amazon Alexa and Google Assistant

MULTI-DIRECTIONAL AIRFLOW

The air conditioning unit can distribute the flow of air in multiple directions: to better direct the flow within the room, it electronically adjusts the direction of the louvers both horizontally and vertically.



THE standard control can be used to easily set the desired louvers position.

SINGLE Split

FOR THE FUTURE

Cervino is the split designed with the environment and the future in mind.



The R290 refrigerant is in fact a natural gas with excellent thermodynamic properties and already complies with the most stringent European regulatory developments.

This technology makes it possible to respect the environment and achieve performance that guarantees optimum comfort.

FOLLOW-ME

The system gives priority to the temperature sensor in the remote control and adjusts itself accordingly.



1. Standard temperature sensor
2. The temperature sensor can be activated

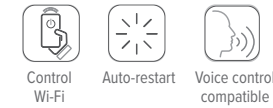
COMFORT



RELIABILITY



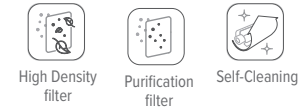
CONVENIENCE



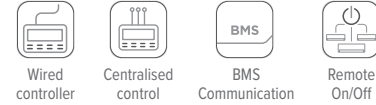
ENERGY SAVING



HEALTH



OPTIONAL



technical data

Set		27M		35M	
Cooling capacity	Standard (Min.=Max.)	Btu/h	9.000 (3.500÷11.000)	12.000 (4.700÷14.700)	
	Standard (Min.=Max.)	kW	2,64 (1,03÷3,22)	3,52 (1,38÷4,31)	
Heating capacity	Standard (Min.=Max.)	Btu/h	11.000 (3.600÷13.000)	11.500 (3.600÷15.000)	
	Standard (Min.=Max.)	kW	3,22 (1,067÷3,81)	3,37 (1,07÷4,38)	
Standard power supply	Cooling (Min.=Max.)	W	659 (80÷1.100)	977 (130÷1.650)	
	Eating (Min.=Max.)	W	848 (160÷1.350)	899 (160÷1.560)	
Rated current input	Cooling (Min.=Max.)	A	2,87 (0,35÷4,78)	4,24 (0,60÷7,20)	
	Eating (Min.=Max.)	A	3,69 (0,70÷5,90)	3,91 (0,70÷6,80)	
Seasonal efficiency ¹	Cooling	Energy class	-	A+++	
		Design load (Pdesign)	kW	2,60	3,50
		SEER	-	8,80	8,50
		Annual energy consumption	kWh/a	103	144
	Heating	Energy class	-	A++	A++
		Design load (Pdesign)	kW	2,50	2,50
		SCOP	-	4,60	4,60
		Annual energy consumption	kWh/a	761	761
Average season	Heating	Energy class	-	A++	A++
	Warmer season	SCOP	-	5,10	5,10
Standard efficiency ²	EER	-	4,00	3,60	
	COP	-	3,80	3,75	

Indoor unit		IEA1-P		27M		35M	
Article code				88672392		89692303	
Dimensions	Unit	L x D x H	mm	802x200x295		802x200x295	
	Packaging	L x D x H	mm	875x285x380		875x285x380	
System weight	Unit/Packaging		kg	8,4/11,1		8,4/11,1	
Air filter	Type				PUF		
Airflow		Hi/Mid/Lo	m ³ /h	520/370/310		520/370/310	
Dehumidification capacity			l/h	1,00		1,20	
Sound power		Hi	dB(A)	53		53	
Sound pressure level		Hi/Mid/Lo	dB(A)	39/35/21		39/35/21	
Control systems	Infrared remote control				RG10A4-D2S-BGEF		
	Settable temperature		°C		16÷30		
Power supply	Voltage/Frequency/Phases		V/Hz/n°		230 / 50 / 1		

Outdoor unit		MEA1-P		27M		35M	
Article code				89682317		89682316	
Dimensions	Unit	L x D x H	mm	805x330x554		805x330x554	
	Packaging	L x D x H	mm	915x370x615		915x370x615	
System weight	Unit/Packaging		kg	33,2/36,1		33,2/36,1	
Sound power		Nominal	dB(A)	52,5		52,5	
Sound pressure level		Nominal	dB(A)	59		59	
Operating range	Cooling	Indoor T.	°C		16÷32		
		Outdoor T.	°CBS		-15÷50		
	Heating	Indoor T.	°C		0÷30		
		Outdoor T.	°CBU		-15÷24		
Refrigerant	Type/GWP				R-290 / 3		
Power supply	Voltage/Frequency/Phases		V/Hz/n°		230 / 50 / 1		

¹ SEER and SCOP data, relative energy ratings and annual energy consumption in conformity to the EN 14825 standard measurement.

² EER/COP values declared only for tax deductions in force at the time this document was written.

PUF= Purificator

Fan speed: Hi=High; Mid=Medium; Lo=Low; Si=Silent

Test conditions:

according to EN14511 / EN12102

Cooling: indoor air temperature 27°C DB/19°C WB; outdoor air temperature 35°C DB/24°C WB;

Heating: indoor air temperature 20°C DB/15°C WB; outdoor air temperature 7°C DB/6°C WB.

Data declared according to UE 626/2011 delegated regulation

refrigerant piping and connections

Set			27M	35M
Max equivalent length		m	25	25
Max difference in level ODU / IDU		m	±10	±10
Refrigerant precharge		kg / m	0,38 / 5	0,38 / 5
External diameters	Liquid	mm / inch	Φ6,35 - 1/4"	Φ6,35 - 1/4"
	Gas	mm / inch	Φ9,52 - 3/8"	Φ9,52 - 3/8"

electrical connections

Set			27M	35M
ODU	Power supply	V/Hz/n°	230 / 50 / 1	230 / 50 / 1
		no. of cables	2 + G	2 + G
IDU	Power supply	V/Hz/n°	230 / 50 / 1	230 / 50 / 1
		no. of cables	2 + G	2 + G
	Signal	no. of cables	2	2

accessoires

Standard

RG10A-D2S-BGEF Infrared remote control for indoor units CRISTALLO 2 / EZCool / BOX 2 / CONSOLE 3 / DUCT 2 / C&F 2

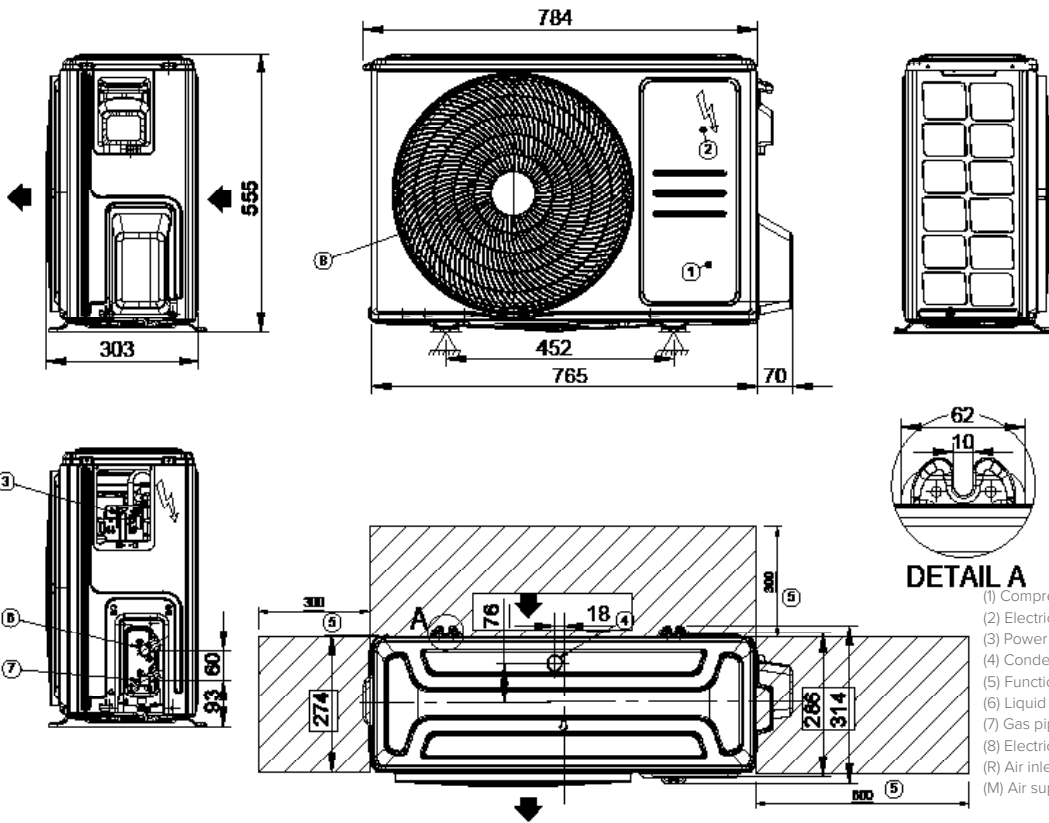
NWMX Wi-fi kit for indoor units

Optionals

MKSS2X

Multifunction board that makes the indoor unit available for Remote ON / OFF, Alarm port and XYE Port (required for connection of Wired controller, Centralized wired controller, Data Converter, BMS Gateway)
The ON-OFF/Alarm/XYE/Wi-Fi port functions can be used simultaneously

Control systems (learn more at Control System page)



- DETAIL A**
- (1) Compressor compartment
 - (2) Electrical panel
 - (3) Power input
 - (4) Condensate drain
 - (5) Functional spaces
 - (6) Liquid pipe (ø 6.35 mm)
 - (7) Gas pipe (ø 9.52 mm)
 - (8) Electric fan (supply-return)
 - (R) Air inlet
 - (M) Air supply

Data contained in this document are not binding and may be changed by the Manufacturer without notice
www.clivet.com

SINGLESplit

